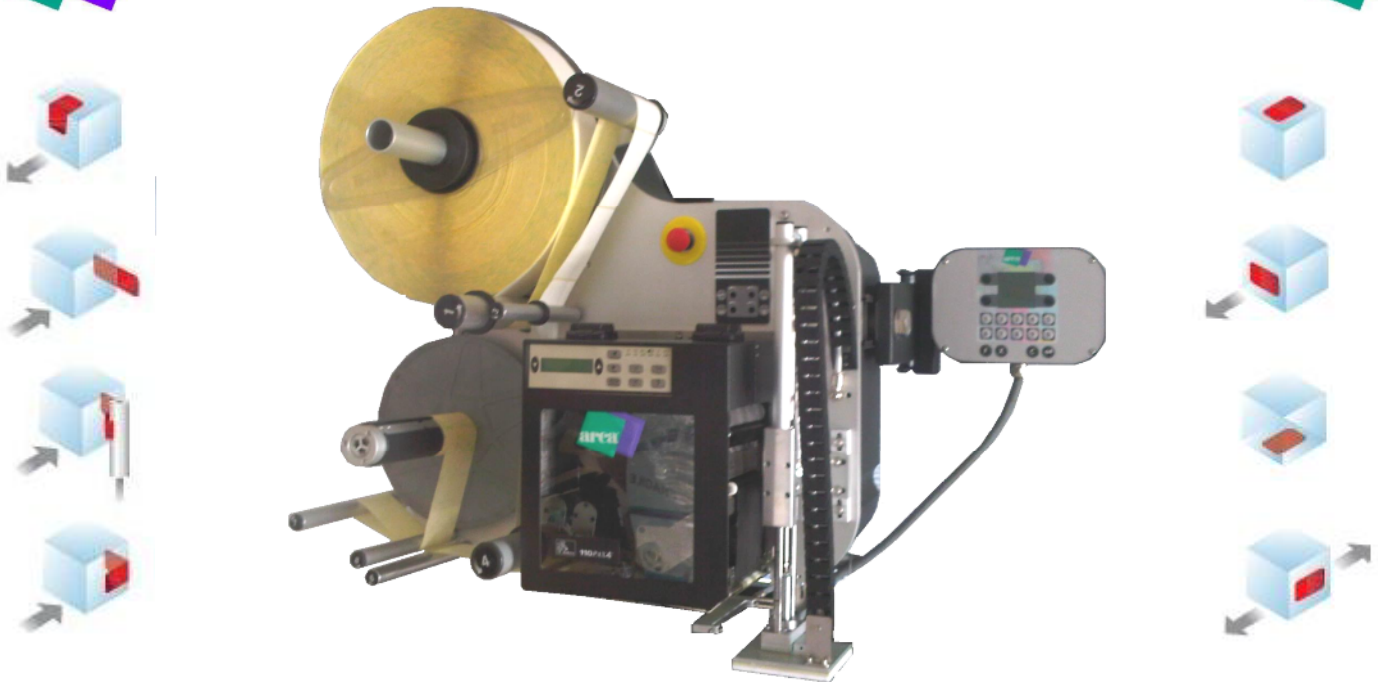




PRINT APPLY BIFUEL LINERPLUS



INDUSTRIAL STRENGTH

- ❖ Stainless steel screws and fasteners and aluminium cast structure
- ❖ Protective rear casing designed in injection moulded high density techno-polymer
- ❖ 4 solenoid valves with a capacity of 800 litres/minute each
- ❖ Pneumatic cylinder with chain guide that contains and preserves tubes and cables
- ❖ Operating 24/7

DESIGN AND STATE-OF-THE-ART TECHNOLOGY

- ❖ Label reel housing fitted with a special inflexible fibreglass polymer disk with central mandrel to prevent the deformation of reels and to facilitate loading operations
- ❖ Supporting arm integrated within the body's frame containing the overall dimensions

VERSATILITY

- ❖ Independent control unit with graphic display and "advanced functions"

SAFETY

- ❖ Limited sharp edges
- ❖ Encased or button head screws reel housing
- ❖ It can apply labels on different product's sides with HPS (High Precision Safe) or PVT applicators.

CE marking (in conformity with 98/37/CE standard)

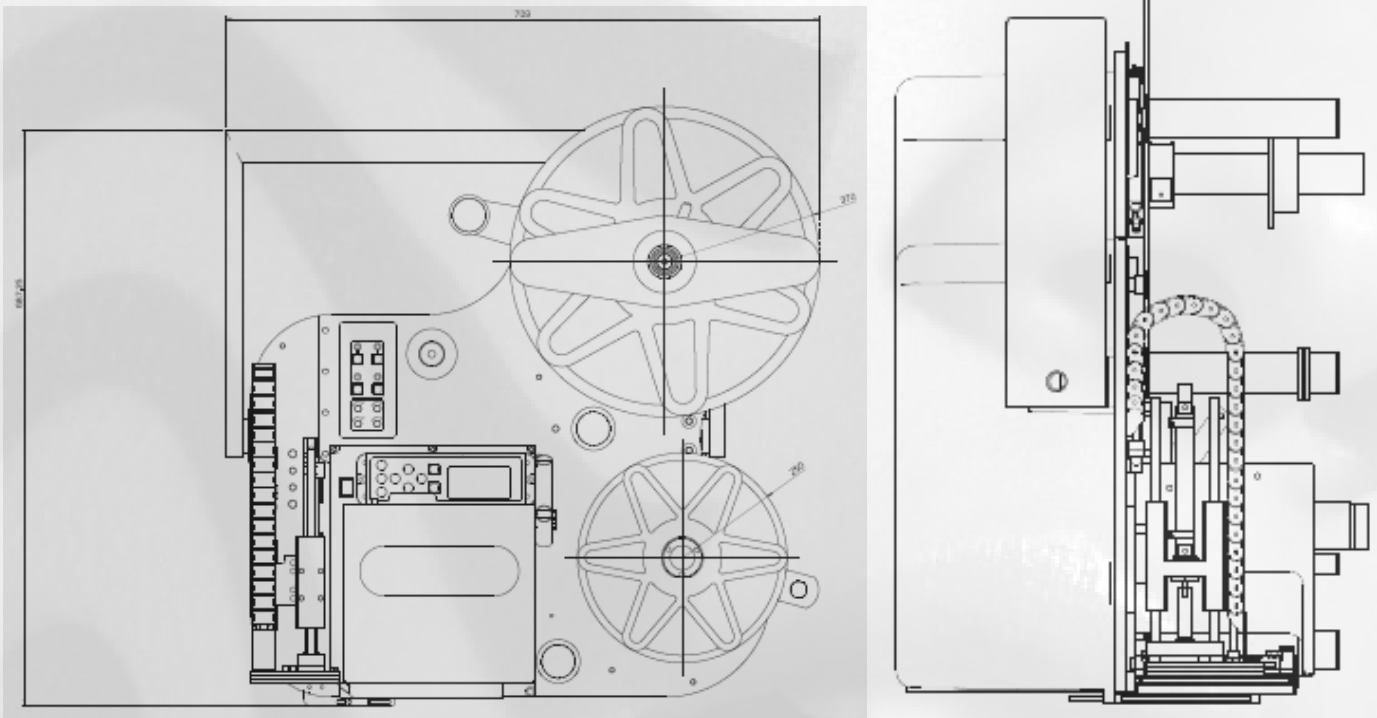
Rev. 03-2011

MAIN CHARACTERISTICS :

- ❖ Label reel housing diameter : External reel max 360mm, core 45 or 75mm
- ❖ Max Paper Width : 183mm (*)
- ❖ Power Supply : 230V - 50 Hz or 110V and 60 Hz

(*) the minimum and maximum dimensions of usable labels and printing surface depend on the specific printing module and application vacuum plate installed

- ❖ compatible with enhanced "INSPECTOR CONTROL UNIT"
- ❖ SATO model S84XX thermal transfer printer embedded
- ❖ preset for installation of end-of-reel optical control (optional)
- ❖ "U" arm for machine position support and setting on two axes (X & Y)



Available with Various Supports, Adjustments, Applicators....



ARCA ETICHETTE SPA – 20010 MARCALLO (MI) ITALY – VIA EDISON, 119 ph. +39 02 97231.1 fax. +39 02 9761633